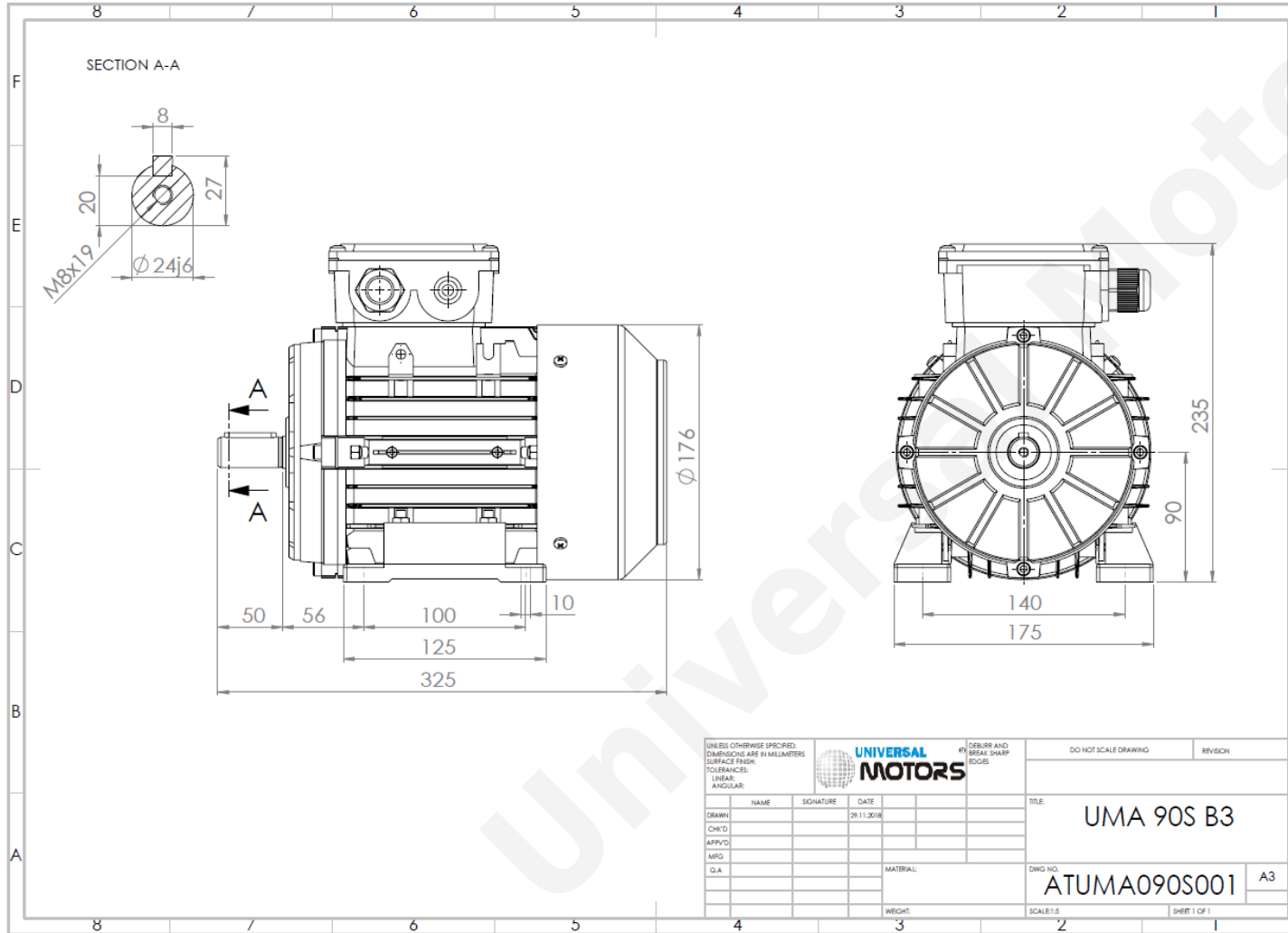




TECHNICAL DATA

Three Phase Electric Motors - Aluminum Frame
 UM2A 90S-6
 0.75 kW / 1 Cv
 940 RPM



Motor type:	UM2A 90S-6
Output:	0.75 kW / 1 Cv
Speed (min ⁻¹):	940 RPM
Frequency:	50 Hz
Voltage:	400 V
Current:	2.19 A
Power factor (Cos Ø):	0.65
Poles:	6
Temperature rise Class:	B
Efficiency 50%:	71.1 %
Efficiency 75%:	75.3 %
Efficiency 100%:	75.9 %
Torque:	7.7 N.m
Tstarting/Tnominal:	2.2
Istarting/Inominal:	4.5
Tmaximum/Tnominal:	2.5
Noise:	59 Db(A)
Weight:	12.6 Kg
Brake AC:	AC4
Torque Brake DC:	16 N.m
Bearing DE:	6205 2Z
Bearing NDE:	6205 2Z
Torque Brake AC:	20 N.m
Brake DC:	REB-05-10

Regime - S1

Altitude - 1000m

Environment Temperature - 40°C

CONTACTS:

UNIVERSAL MOTORS Tel: +351 252 299 080
 Rua de São Brás,745 Fax: +351 252 299 089
 4480-782 VILA DO CONDE Mail: geral@universalmotors.pt

* References applied only in the UK